

SOLAR MODULES

Polycrystalline

IBC-225TE



applicable for grid-connected systems

power warranties*

=> 25 years (80%)

=> 12 years (90%)

5 years product guarantee*

due to minimum power tolerance
of $\pm 2,5\%$

6-inch-cells "Made in Germany"
with acid texture

safety class II up to 930 V system
voltage

IEC 61215 tested and certified

fast and inexpensive mounting:

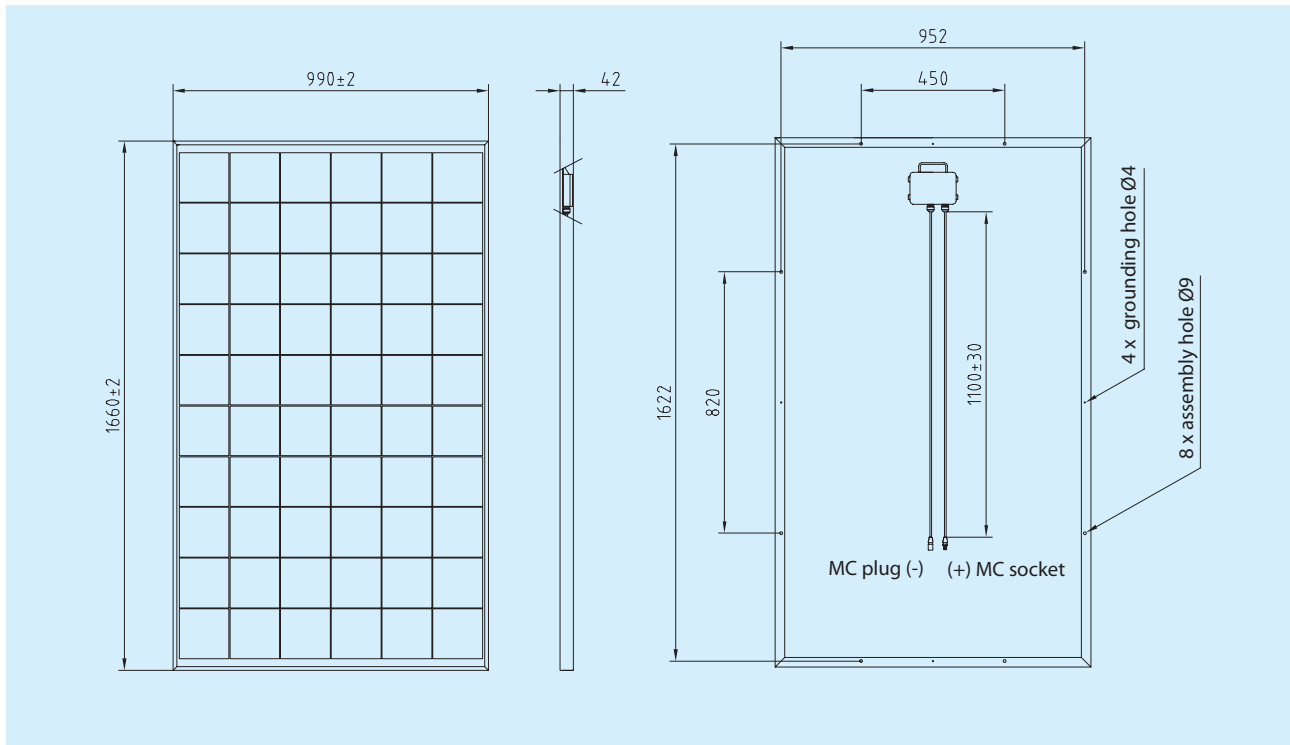
=> delivered ready for connection

=> pre-confectioned cables

=> Multi-Contact plug-in connectors

=> integrated bypass diodes

100% end control with individual
registration of the electrical characteristics



dimensioned drawing IBC-225TE

Technical data

nominal peak power	Wp	225,0
guaranteed minimum power	Wp	219,4
nominal voltage	V	30,3
nominal current	A	7,44
open circuit voltage	V	36,7
short-circuit current	A	8,13
temperature coefficient I_{SC}	%/K	0,029
temperature coefficient U_{OC}	mV/K	-127
temperature coefficient P_{max}	%/K	-0,4
length	mm	1660
width	mm	990
height	mm	42
weight	kg	22,0
mounting holes \varnothing 9 mm	pieces	8
article number		220060225TE

Electrical values under standard test conditions:
1000W/m²; 25°C; AM 1.5.

Subject to modifications that represent progress.

* The complete and individual valid guarantee conditions are relevant, which will be handed out by your IBC-representative on request.