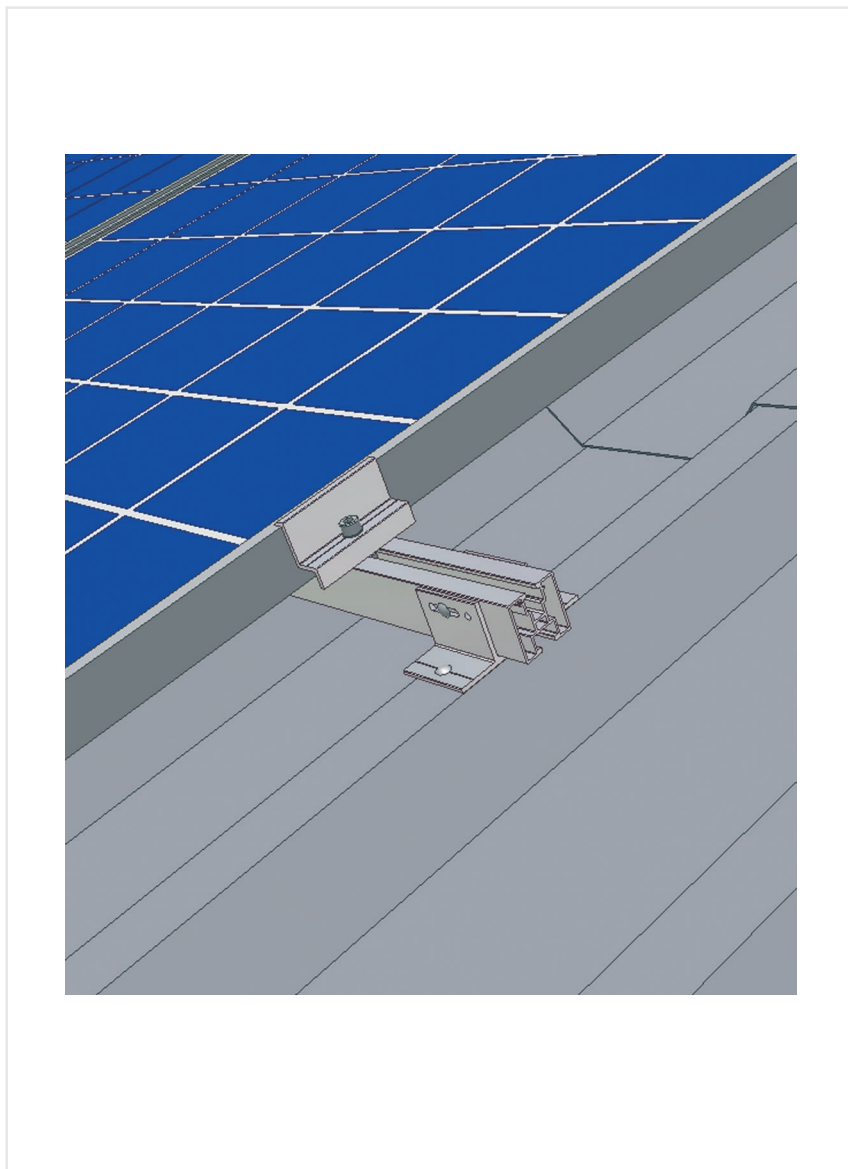


TRAPEZOIDAL SHEET MOUNTING SYSTEM

for IBC-MEGAFIX 100



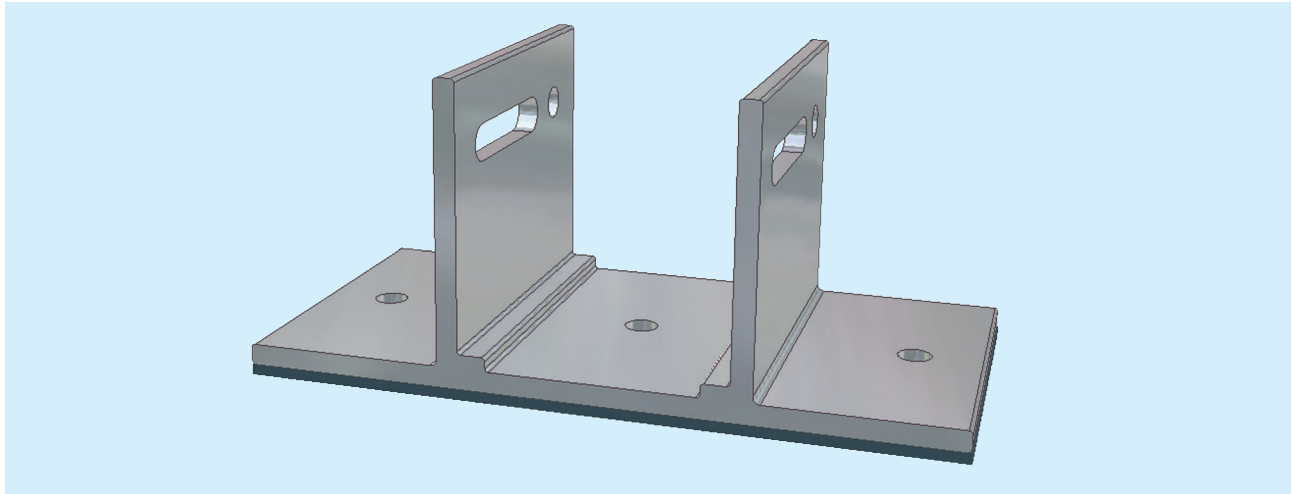
high level of safety through static loading dimensioning according to DIN 1055, parts 4 and 5*

exact and rapid positioning through the use of UV-resistant high-performance adhesive tape

thermal expansion of the support framing is allowed for

rapid and safe installation through time-saving riveting method (no screws)

individual applications, time and cost-intensive customization is not necessary



IBC trapezoidal sheet mountings

Type

	packaging unit	article number
Trapezoidal sheet mountings	20 or 100 pieces	6700200505
Butt connectors for trapezoidal sheets	20 or 100 pieces	6700300335
Abrasive cleaning fabric	10 pieces	6000301005
Cleaning agent: isopropyl alcohol	2,5 l canister	6000301001
Blind riveting toolkit	1 kit	6000305010
Incl. Rivet depth gauge and replacement battery		
Ø 4.9mm drill bit	10 pieces	6000301010

* WARNING:

Fastening of the roof cladding to the substructure must be ensured by the customer.

For the exact technical conditions and working methods, see the latest version of the installation instructions as well as the applicable standards and regulations.

Applications

steel trapezoidal sheet roofs with a minimum sheet thickness of 0,63 mm
 minimum vertical crease width of 30 mm
 compatible with Type 39-o IBC carrier rails

Functionality

riveted joints with additional adhesive between the trapezoidal sheet and the mounting components
 adhesive joints and special sealing rivets provide reliable sealing
 special riveting on the carrier rail takes account of thermal expansion of the rails

Structure

static loading dimensioning of the horizontal, roof-parallel carrier rail installation according to DIN 1055, parts 4 and 5*

Required tools / Accessories

battery-powered riveter with rivet depth gauge (available from IBC)
 electric drill or screwdriver with a Ø 4,9mm drill bit
 cleaning material for cleaning the roof surface (isopropyl alcohol / abrasive fabric)